



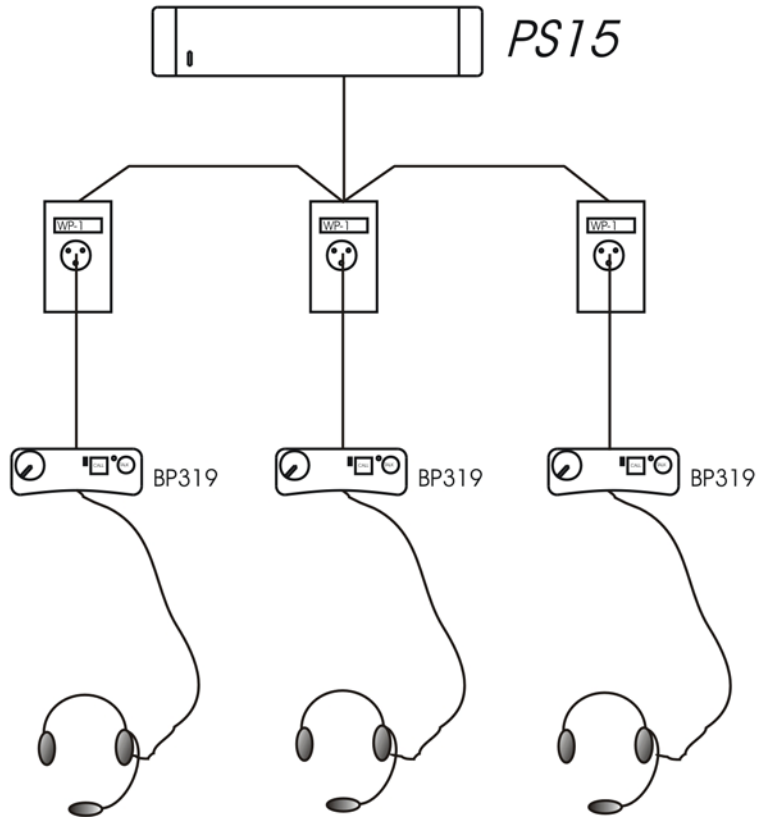
BASIC INTERCOM APPLICATION GUIDELINE

By: Christian Latzelsberger

Telex Communications, Inc.
12000 Portland Avenue South
Burnsville, MN 55337
Tel: (800) 392-3497
Fax: (800) 323-0498



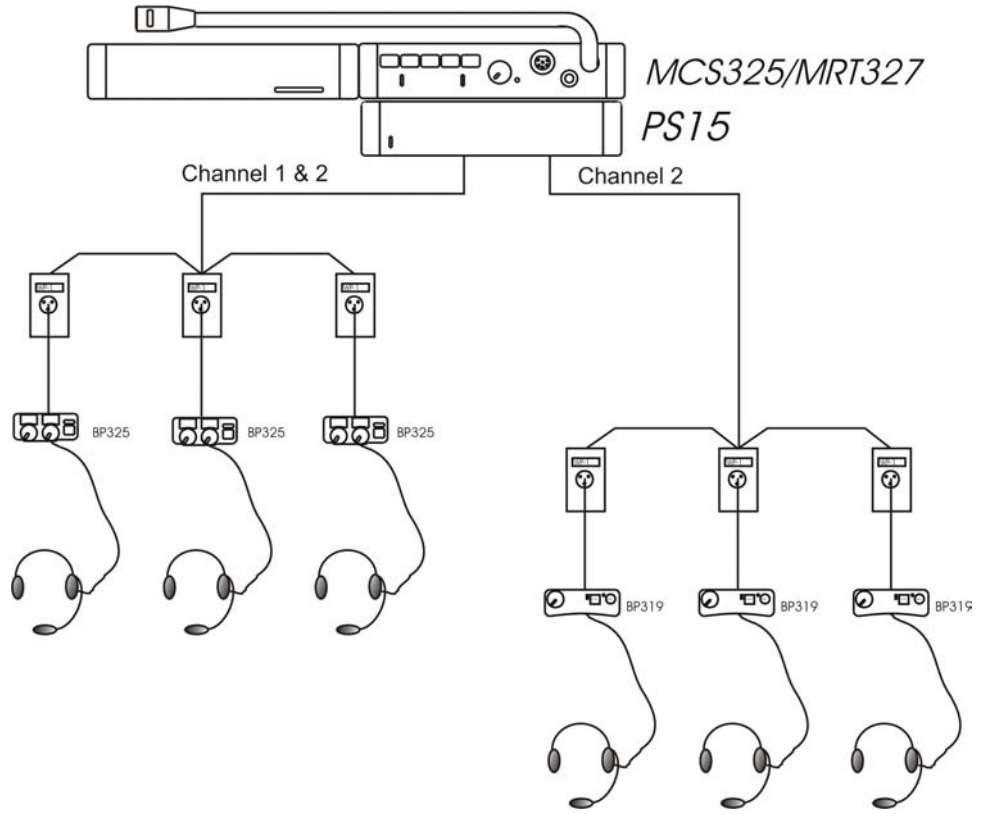
RTS TW Example 1
1 Channel Party Line with Wall Plates



Qty	Model No.	Description	Part Number
1	PS-15	2 channel power supply	9000678600
1	MCP-2	Rack mount adapter for PS 15 (Option)	9002657600
3	WP-1	Wall plate, 3 pin XLR to use with BP-319	96136000
3	BP-319	1 channel beltpack	90007753010
2	PH-88R	Single sided lightweight headset (other headsets see price list)	300852201
1	PH-44R	Dual sided lightweight headset (other headsets see price list)	300853401
3	ME-100	100' (30.4m) intercom cable to connect BP 319 and WP-1 (Other cable length see price list)	96150002
1		Cable between PS-15 and WP-1 (Specified cable type is 22 awg 3 conductor with an overall shield)	

Please read also our detailed “Intercom Systems Application guide” for further examples or modify the System on your own as the two channel PS-15 can handle up to 30 user stations (depending on model and combination -see specifications).

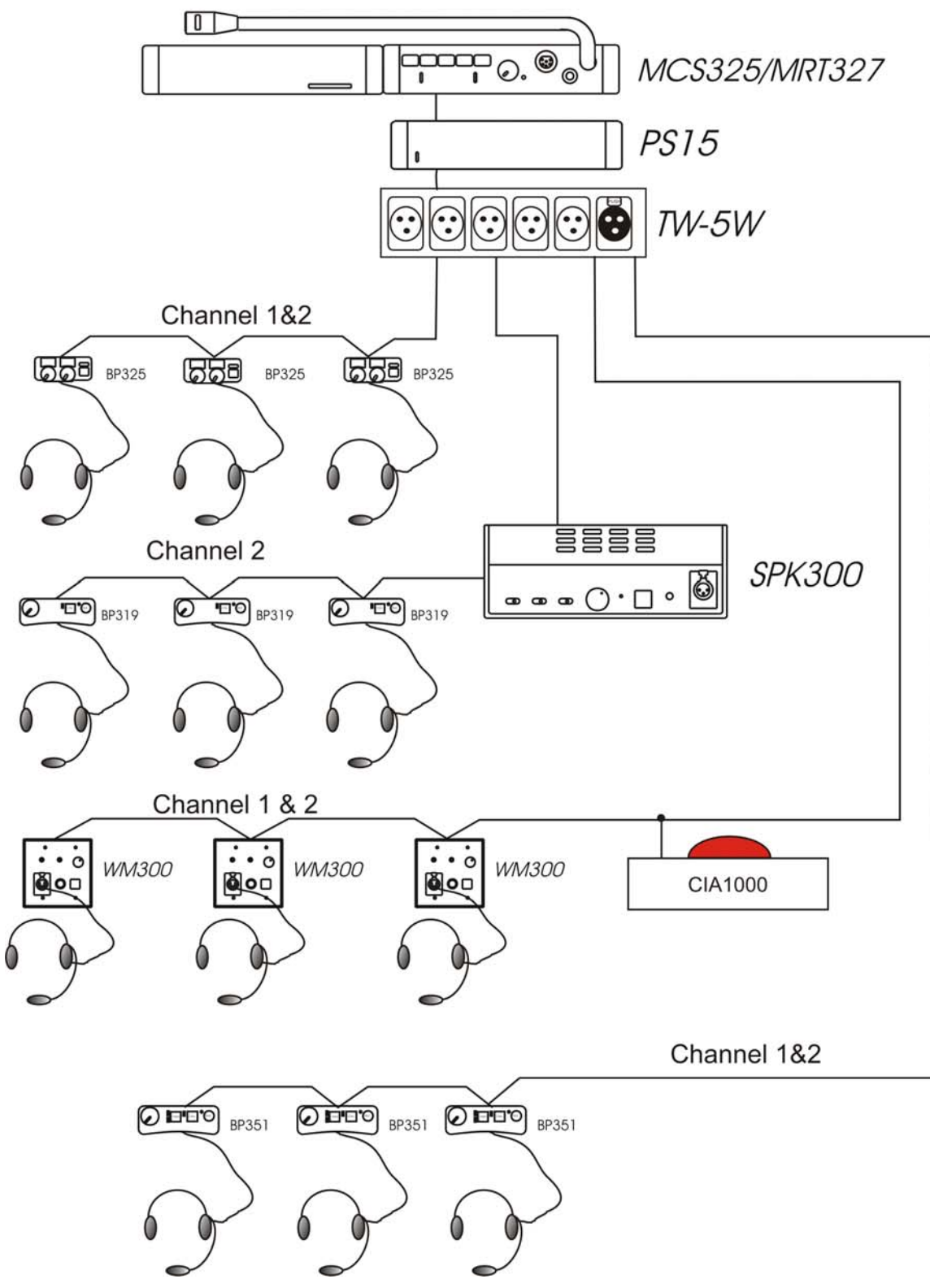
RTS TW Example 2
2 Channel Party Line



Qty	Model No.	Description	Part Number
1	MRT-327	2 channel modular master station	9000659300
1	MCS-325	Passive modular loudspeaker	9000656800
1	MCP-1	Rack mount adapter for MRT-327 and MCS-325	9002657500
1	MCP 90-12	12" gooseneck mic for MCE-325 (other length see price list)	MCP-90-12
1	PS-15	2 channel power supply	9000678600
1	MCP-2	Rack mount adapter for PS 15 (Option)	9002657600
6	WP-1	Wall plate, 3 pin XLR to use with BP-319 and BP-351	96136000
3	BP-325	2 channel beltpack	9000673800
3	BP-319	1 channel beltpack	90007753010
3	PH-88R	Single sided lightweight headset (other headsets see price list)	300852201
3	PH-44R	Dual sided lightweight headset (other headsets see price list)	300853401
6	ME-100	100' (30.4m) intercom cable to connect BP319/BP325 and WP-1 (Other cable length see price list)	96150002
1	ME-25	25' (7.6m) intercom cable to connect MRT-327 and PS-15 (Other cable length see price list)	96150000
1 each		Cable between PS-15 and WP-1 (Specified cable type is 22 awg 3 conductor with an overall shield)	

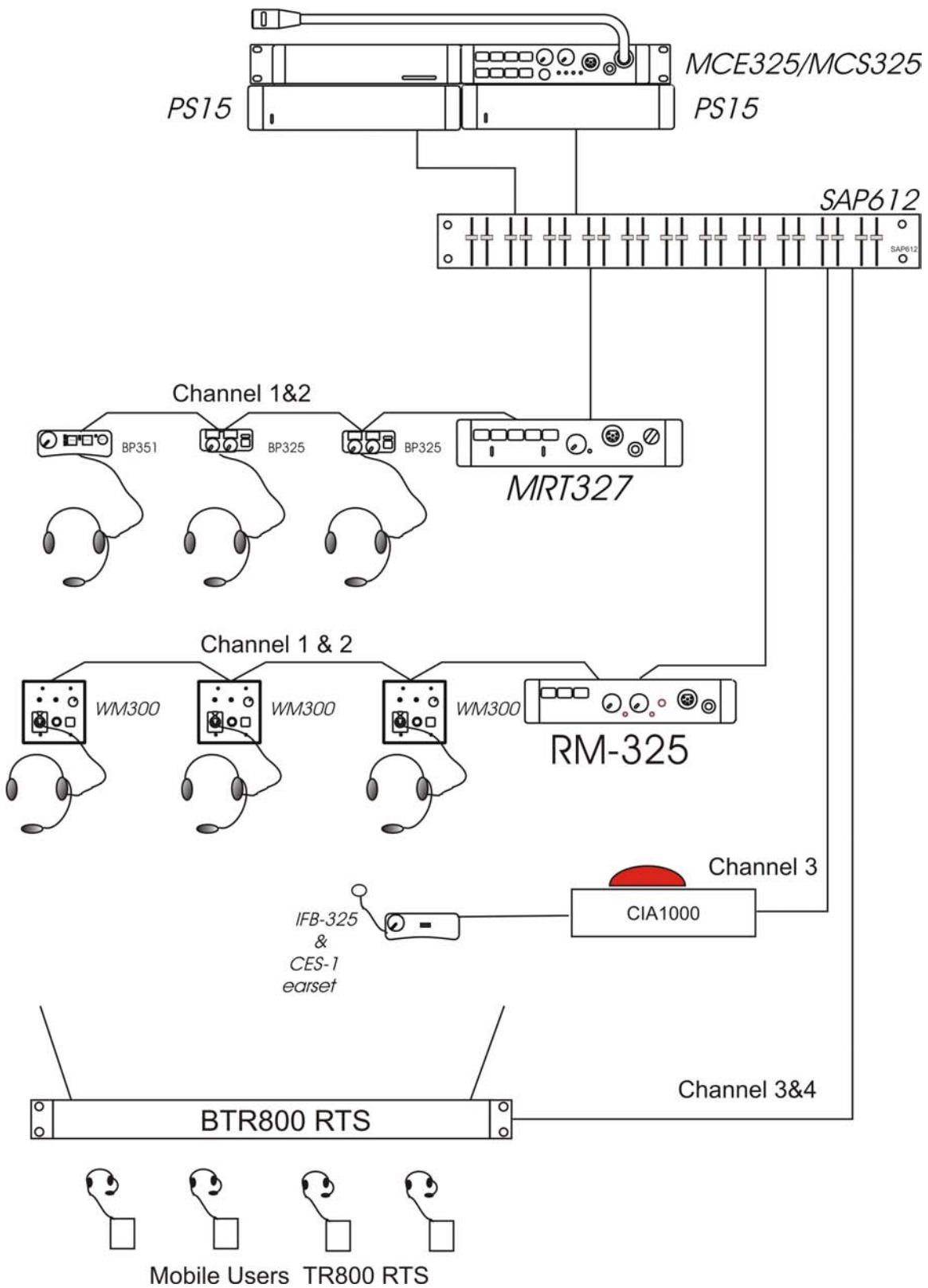
Please read also our detailed "Intercom Systems Application guide" for further examples or modify the system on your own as the two channel PS-15 can handle up to 30 user stations (depending on model and combination -see specifications).

RTS TW Example 3
2 Channel Party Line with Wall Stations



Qty	Model No.	Description	Part Number
1	MRT-327	2 channel modular master station	9000659300
1	MCS-325	Passive modular loudspeaker	9000656800
1	MCP-1	Rack mount adapter for MRT-327 and MCS-325	9002657500
1	MCP 90-12	12" gooseneck mic for MRT-327 (other length see price list)	MCP-90-12
1	PS-15	2 channel power supply	9000678600
1	MCP-2	Rack mount adapter for PS- 15 (Option)	9002657600
1	TW5W	1*5 two channel 3 pin XLR type passive splitter	9000322400
3	BP-325	2 channel beltpack	9000673800
3	BP-319	1 channel beltpack	90007753010
1	SPK-300	2 channel desktop speaker station	9000315200
3	WM-300	2 channel wall mount headset station	9000244100
1	CIA-1000	Call light box (different variations see price list)	90007699000
3	BP-351	2 channel beltpack	90007754010
6	PH-88R	Single sided lightweight headset (other headsets see price list)	300852201
5	PH-44R	Dual sided lightweight headset (other headsets see price list)	300853401
1	ME-25	25' (7.6m) Intercom cable to connect MRT-327 and PS-15 (Other cable length see price list)	96150000
1	ME-25	25' (7.6m) intercom cable to connect PS-15 and TW5W (Other cable length see price list)	96150000
3	ME-100	2*100' (30.4m) intercom cable to connect beltpacks BP325; 1*cable to connect BP-325 and TW5W (Other cable length see price list)	96150002
4	ME-100	2*100' (30.4m) intercom cable to connect beltpacks BP319; 1*cable to connect BP-319 and SPK 300; 1*cable to connect SPK 300 and TW5W (Other cable length see price list)	96150002
3		2*cable between WM 300's 1*cable between CIA1000 and WM 300; (Specified cable Type is 22 awg 3 conductor with an overall shield)	
1	ME-100	1*100' (30.4m) intercom cable to connect CIA1000 and TW5W (Other cable length see price list)	96150002
3	ME-100	2*100' (30.4m) intercom cable to connect beltpacks BP351; 1*cable to connect BP351 and TW5W (Other cable length see price list)	96150002

RTS TW Example 4
4 Channel Party Line with Wireless Intercom



Qty	Model No.	Description	Part Number
1	MCE-325	2 or 4 channel master station	9000646400
1	MCS-325	Passive modular loudspeaker	9000656800
1	MCP-1	Rack mount adapter for MCE-325 and MCS-325	9002657500
1	MCP 90-12	12" gooseneck mic for MCE-325 (other length see price list)	MCP-90-12
2	PS-15	2 channel power supply	9000678600
1	MCP-1	Rack mount adapter for 2* PS 15 (Option)	9002657500
1	SAP-612	Source assign panel for channel assignment	9000687200
1	BP-351	2 channel beltpack	90007754010
2	BP-325	2 channel beltpack	9000673800
1	MRT-327	2 channel modular user station	9000659300
1	MCP 90-12	12" gooseneck mic for MRT-327 (other length see price list)	MCP-90-12
1	MCP-2	Rack mount adapter for MRT-327 (Option)	9002657600
3	WM-300	2 channel wall mount headset station	9000244100
1	RM-325	2 channel headset station	9007491000
1	PH-88R	Single sided lightweight headset for RM-325 (Other headsets see price list)	300852201
1	IFB-325	Single channel IFB beltpack (listen only)	90007488000
1	CES-1	Complete earset (other earset models see price list)	800318000
1	CIA-1000	Call light box (different variations see price list)	90007699000
1	BTR-800RTS	2 channel UHF wireless Intercom Base Station	71305XXR
4	TR-800RTS	2 channel UHF wireless Intercom beltpack	71306XXR
1	BC-1NM4	4 bay charger incl. 4 NHM packs for TR-800R (Option)	301778400
2	ALP-450	Directional log. Periodic antenna for BTR-800R (Option)	71147000
6	PH-88R	Single sided lightweight headset (other Headsets see price list)	300852201
4	PH-44R	Dual sided lightweight headset (other Headsets see price list)	300853401
2	ME-25	25' (7.6m) intercom cable to connect MCE-325 and PS-15 (Other cable length see price list)	96150000
2	ME-25	25' (7.6m) intercom cable to connect PS-15 and SAP-612 (Other cable length see price list)	96150000
1	ME-100	100' (30.4m) intercom cable to connect MRT 327 and SAP-612 (Other cable length see price list)	96150002
3	ME-100	1*100' (30.4m) intercom cable to connect beltpack BP351 and BP325; 1*100' (30.4m) intercom cable to connect beltpacks BP325 1*cable to connect BP-325 and MRT 327 (Other cable length see price list)	96150002
1	ME-100	100' (30.4m) intercom cable to connect RM-325 and SAP-612 (Other cable length see price list)	96150002
3		2*cable between WM 300's 1*cable between RM-325 and WM 300; (Specified cable Type is 22 awg 3 conductor with an overall shield)	
1	ME-100	100' (30.4m) intercom cable to connect CIA 1000 and SAP-612 (Other cable length see price list)	96150002
1	ME-100	100' (30.4m) intercom cable to connect CIA 1000 and IFB-325 (Other cable length see price list)	96150002
1	ME-50	50' (15.2m) intercom cable to connect BTR 800R and SAP 612 (Other cable length see price list)	96150001

